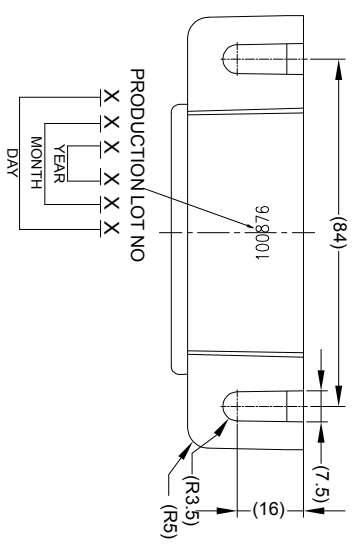
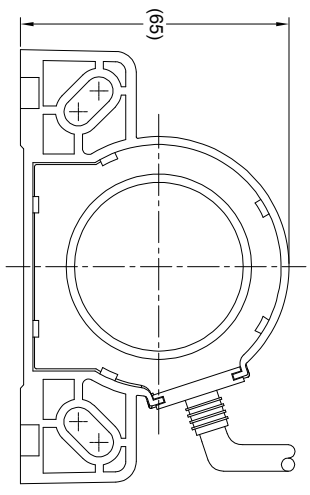
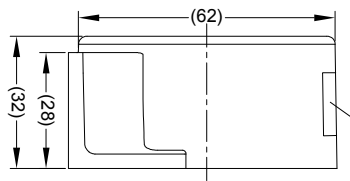


Revision Notes			
R1 - STANDARDS AND FRAME UPDATED, NOTES ADDED TO REFLECT PRODUCT LABEL.			
APA: KILDA	Drawn/RBATES	Checked/gp/PTH	Approved's/MATTHEWS Date: 17/04/13
R2 - NOTES UPDATED TO INCLUDE LABEL DETAILS AS PER ECR CR-A274.			
APA: KILDA	Drawn: RBATES	Checked: MBUTLER	Approved: - Date: 28/08/14



- SPECIFICATION:**
1. RATED VOLTAGE: 1224 VOLTS DIRECT CURRENT (WORKING VOLTAGE RANGE 9 ~ 32 VOLTS)
  2. RATED CURRENT: 0.3 AMPERES OR LESS
  3. SOUND PRESSURE: 97±4 DECIBELS AT TEST VOLTAGE OF 14/28 VOLTS (AS MEASURED AT A DISTANCE OF 1.2 METERS AND AT A HEIGHT OF 1.2 METERS ABOVE THE GROUND)
  4. FREQUENCY: 1600±200Hz AT TEST VOLTAGE OF 14/28 VOLTS.
  5. INTERMITTENCE: 80±15 CYCLES PER MINUTE AT TEST VOLTAGES OF 14/28 VOLTS.
  6. DURABILITY: TO BE FREE OF ABNORMALITY AFTER BEING TESTED FOR 500 HOURS CONTINUOUSLY AT TEST VOLTAGES OF 32 VOLTS.
  7. RANGE OF OPERATING TEMPERATURE GUARANTEED: -40°C ~ +85°C
  8. OTHERS: SUBJECT TO SAE J1994

- NOTES:**
1. FINISH IS BLACK.
  2. FOR PRODUCT LABEL REFER TO LATEST REVISION OF DRAWING BE-002833-XX-14.
  3. FOR GIFTBOX LABEL REFER TO LATEST REVISION OF DRAWING BE-002834-XX-14.
  4. "R" TRIANGLE" INDICATES CHANGES MADE TO REVISION AS IDENTIFIED IN NOTES.



**PROPRIETARY NOTICE**  
 THIS DESIGN AND TECHNICAL INFORMATION APPEARING ON THIS DRAWING IS THE PROPERTY OF BRIGADE ELECTRONICS, AND IS DISCLOSED IN CONFIDENCE. IT IS NOT TO BE COPIED, REPRODUCED, REVEALED TO OR EXPROPRIATED BY OTHERS, EITHER IN WHOLE OR IN PART WITHOUT THE EXPRESS WRITTEN CONSENT OF BRIGADE ELECTRONICS.



<b>Assembly PI Approval</b> KILDA - 08/04/13		<b>Approved by</b> DKERAI		<b>Checked by</b> DKERAI		<b>Drawn by</b> MBUTLER	
<b>Angle of Projection</b> Third Angle		<b>Units</b> mm	<b>Scale</b> N/A	<b>Released</b> 25/07/10	<b>Assembly Ref</b> BA-560(TC)		
<b>Status</b> RELEASED		<b>Part No</b> 2747		<b>BE-000969-02-10</b>			

